

# Universal Belt Capper



**universal**

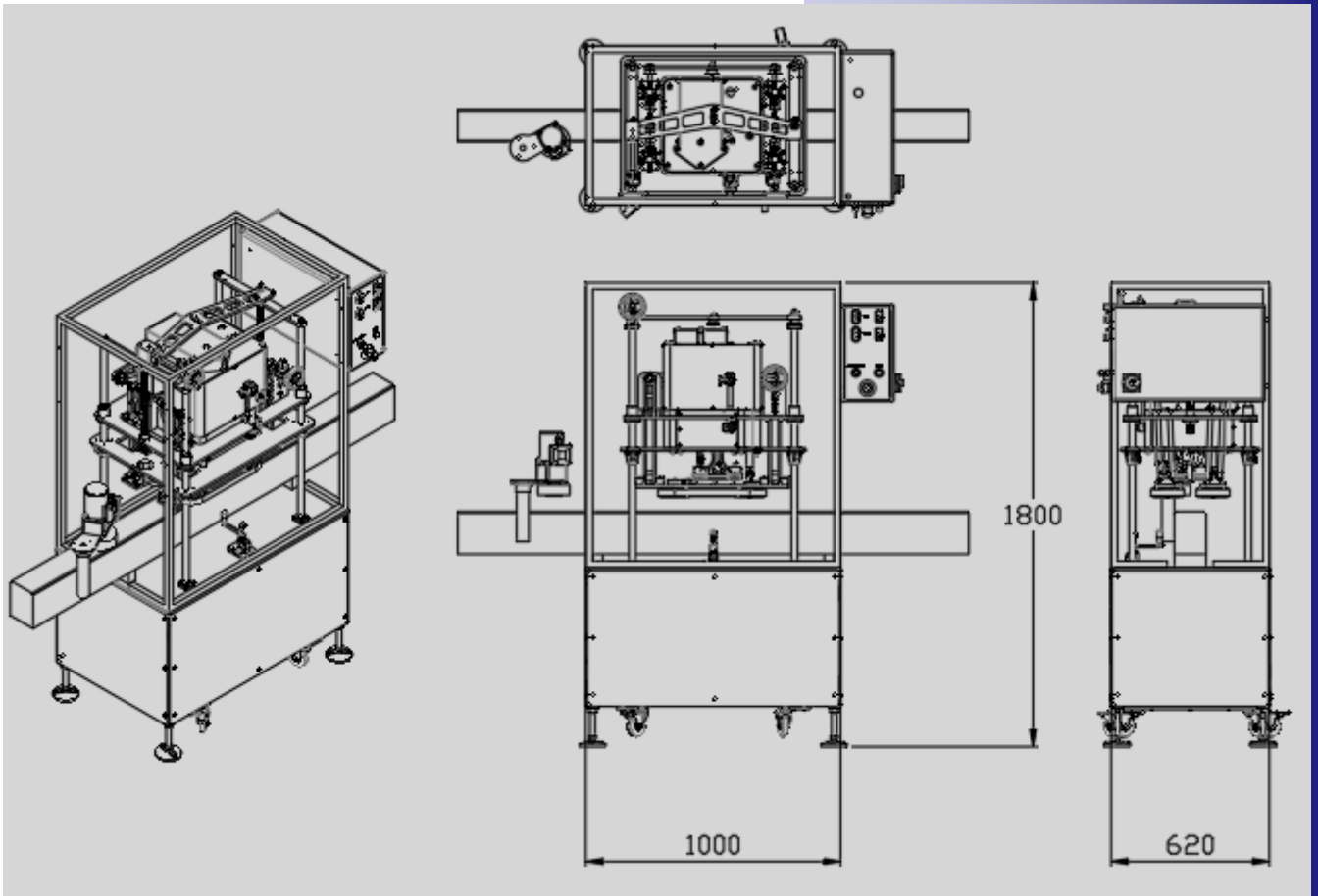
FILLING MACHINE COMPANY



- Output speeds up to 60 units per minute
- Suitable for a wide range of bottle and cap sizes
- Simple repeatable torque adjustment
- No change parts required
- Completely tool free adjustment
- Numerical indicators for fast repeatable changeovers and set up

The Universal In Line Automatic Cap Tightening Machine is suitable for tightening a wide range of pre threaded caps and is probably one of the most versatile cap tightening machines available. Container and cap sizes from 20mm diameter up to 120mm can be accommodated and bottle sizes from 10ml up to 5 litres can be handled without the need for any change parts. The machine is also able to tighten most trigger sprays as well as hand pump and spray type caps

Rubber belts are used to hold the container and stop it twisting whilst a second set of belts applies the cap. A unique clutch mechanism releases the cap tightening belts once the set torque has been achieved. The use of rubber belts to tighten the cap gives greater reliability than standard spindle capping machines which use wheels to tighten the cap.



Options for automatic cap feeding and placing can be incorporated subject to suitability of the caps



**universal**  
FILLING MACHINE COMPANY

Ashford Packaging Equipment Ltd  
Pound Lane, Kingsnorth  
Ashford, Kent

Phone: 0044 (0) 1233 643666  
Fax: 0044 (0) 1233 634431  
Email: [mail@universalfilling.com](mailto:mail@universalfilling.com)